

# DATA SHEET MULTIPLAY ANGULUS 2

Text for invitation to tender | Item No: 51 7522 601



## MATERIALS | SCOPE OF SUPPLY

Multiplay, final installation on location

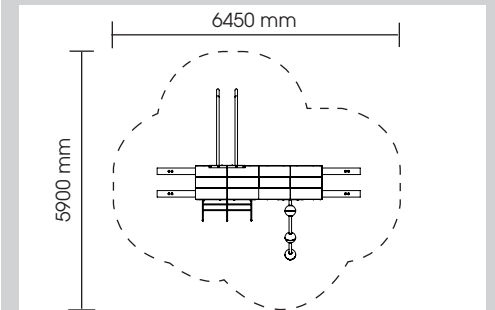
Hexagon:	larch, 2 pieces
Post:	larch
Rail:	stainless steel, V2A, 2 pieces
Climbing balls:	stainless steel, V2A, with 3 balls made of EPDM granules, 1 piece
Climbing net:	Herkules rope/plastic, 1 piece
Parallel bars slide:	stainless steel, V2A, 1 piece
Ladder rung:	larch, 4 pieces
Post shoe:	stainless steel, V2A, 4 pieces
Foundation plates:	steel, coated

## TECHNICAL INFORMATION

Dimensions:

Main dimension:	3420 x 3000 mm
Height:	2000 mm
Weight:	375 kg
Capacity:	acc. to normative requirements
Dimension largest piece:	3420 x 570 x 1920 mm
Heaviest piece:	251 kg

Max. fall height:	900 mm
Impact area:	26,80 m <sup>2</sup>
Required safety slabs:	min. 31,75 m <sup>2</sup> (□ 39,00 m <sup>2</sup> )
Required lawn grating:	min. 35,00m <sup>2</sup> (□ 42,00 m <sup>2</sup> )
Recommended surface material:	grass, sand, wood chip, gravel, synth. impact protection



## INSTALLATION

Foundations: 5  
Modified installation depth possible (special edition)

Installation according to our detailed mounting instructions, see [www.stilum.com](http://www.stilum.com)

Please note the material information in the mounting- and maintenance instruction.

